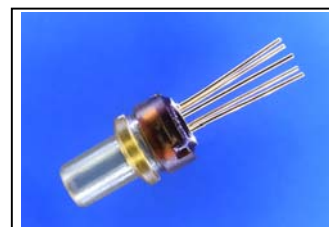


TRR-1D51-751

155Mbps SC Connectorized InGaAs PIN plus AGC Pre-amplifier

FEATURES:

- Pre-aligned SC-type receptacle for optical fiber communication.
- Suitable for long wavelength 100/155Mbps applications.
- Supports 3.3V and 5.0V applications.



ELECTRO-OPTICAL CHARACTERISTICS: ($T_A = 25^\circ\text{C}$)

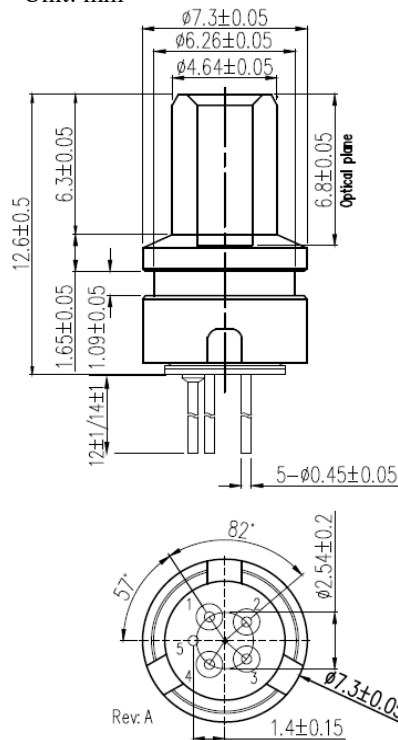
PARAMETERS	SYMBOL	MIN	TYP	MAX	UNIT	TEST CONDITIONS
Power Supply	V_{CC}	3.0	3.3	5.5	V	
Supply Current	I_{CC}			36	mA	no loads
Differential Responsivity	R_d	20		54	mV/ μW	$R_{load} = 100\text{ohm}$, $P = -33\text{dBm}$, $\lambda = 1310\text{nm}$
Single Ended Responsivity	R_s	10		27	mV/ μW	$R_{load} = 50\text{ohm}$, $P = -33\text{dBm}$, $\lambda = 1310\text{nm}$
Small-Signal Bandwidth	BW	115			MHz	
Rise / Fall Time(10 % ~ 90 %)	tr/tf			4.5	ns	$P = -33\text{dBm}$, $\lambda = 1310\text{nm}$
Saturation Power	P_{Sat}	0			dBm	
Single Ended Output Impedance	R_O		50		ohm	
Wavelength	λ	1260		1620	nm	
Sensitivity				-37	dBm	$\lambda = 1310\text{nm}$, @155.52Mbps, PRBS 23, BER=1E-10

ABSOLUTE MAXIMUM RATINGS:

PARAMETERS	MIN	MAX	UNIT	TEST CONDITIONS
Storage Temperature	-40	100	$^\circ\text{C}$	
Operating Temperature	-40	85	$^\circ\text{C}$	
Lead Solder Temperature		260	$^\circ\text{C}$	10 seconds

OUTLINE DIMENSIONS:

• Unit: mm

**Pinout:**

Pin no.	Function
1	Dout(+)
2	Vcc
3	Isink
4	Dout(-)
5	Gnd