

TMC-1C55-701

4.25Gbps InGaAs PIN Plus AGC Pre-amplifier

FEATURES:

- Industry standard TO-46 package with cap lens and tab-less.
- Optimized for fiber optic application.
- Design for long wavelength 4.25Gbps application.
- Photocurrent monitoring available.
- Single power supply +3.3V.



ELECTRO-OPTICAL CHARACTERISTICS: (T_A = 25°C)

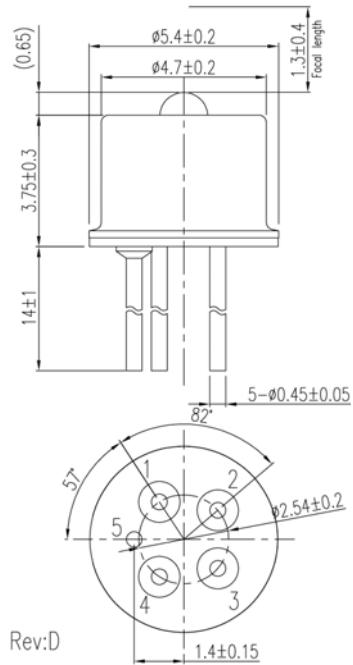
PARAMETERS	SYMBOL	MIN	TYP	MAX	UNIT	TEST CONDITIONS
Power Supply	V _{CC}	3.0	3.3	3.6	V	
Supply Current	I _{CC}	30	34	42	mA	no loads
Differential Responsivity	R _d		2.2		mV/μW	R _{load} = 100ohm, P = -18dBm, λ=1310nm
Single Ended Responsivity	R _s		1.1		mV/μW	R _{load} = 50ohm, P = -18dBm, λ=1310nm
Small-Signal Bandwidth	BW		2.5		GHz	P = -18dBm, λ=1310nm
Low-Frequency Cut off	LF		15		kHz	
Rise / Fall Time(20 % ~ 80 %)	tr/tf			150	ps	P = -18dBm, λ=1310nm
Saturation Power	P _{Sat}	0			dBm	
Single Ended Output Impedance	R _O		50		ohm	
Wavelength	λ	1260		1620	nm	
Sensitivity				-23	dBm	λ=1310nm,@4.25Gbps , PRBS7, ER=7dB, BER=1E-10

ABSOLUTE MAXIMUM RATINGS:

PARAMETERS	MIN	MAX	UNIT	TEST CONDITIONS
Storage Temperature	-40	100	°C	
Operating Temperature	-40	85	°C	
Lead Solder Temperature		260	°C	10 seconds

OUTLINE DIMENSIONS:

• Unit: mm

**Pinout:**

Pin no.	Function
1	Dout(+)
2	Vcc
3	Isource
4	Dout(-)
5	Gnd